

QWCA-D84-N

WRD-84 to N

Features:
* Low VSWR

Applications:
* Wireless
* Transmitter
* Laboratory Test
* Radar

Electrical

Frequency: 0.84-2GHz
VSWR: 1.25 max.

Mechanical

Coax Connectors: N
Waveguide Size: WRD-84
Flange: FPWRD84
Material: Aluminium

How To Order

QWCA-D84-X-Y-Z

X : Connector type.

Y : Configuration type.

Z : Flange type if applicable.

Connector naming rules:

N - N Male (Outline A)

NF - N Female (Outline A)

Configuration naming rules:

E - End launch

R - Right angle (Outline A)

Flange naming rules:

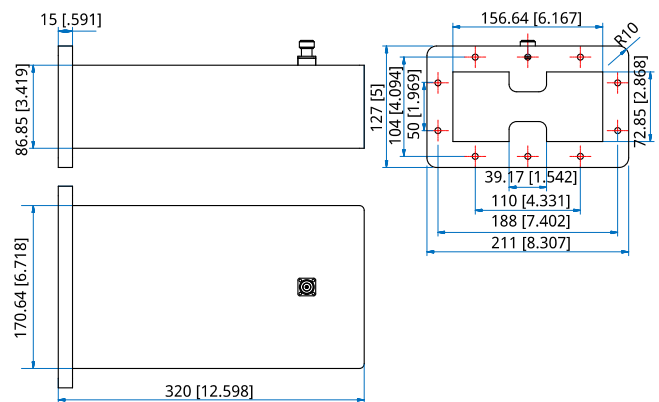
8 - FPWRD (Outline A)

Examples:

To order a waveguide to coax adapter, WR-D84 to N female, right angle, FPWRD, specify QWCA-D84-NF-R-8.

Customization is available upon request.

Outline Drawings



Outline A

Unit: mm [in]

Tolerance: $\pm 0.2\text{mm}$ [$\pm 0.008\text{in}$]